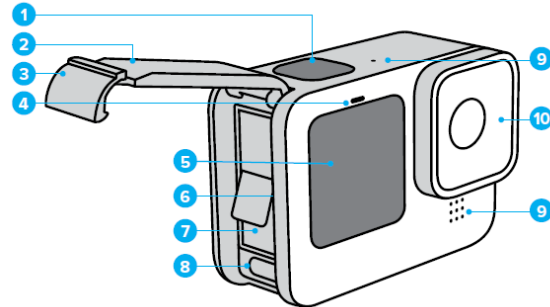


GoPro Quick Start

Find the full manual at: www.cadl.org/gopro

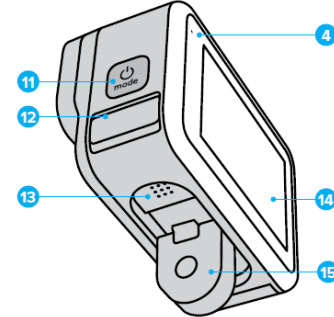


The GoPro App is available free for iPhone or Android. It is not required to use the GoPro.



- 1. Shutter Button
- 2. Door
- 3. Door Latch
- 4. Status Light
- 5. Front Screen

- 6. microSD™ Card Slot
- 7. Battery
- 8. USB-C Port
- 9. Microphone
- 10. Removable Lens



- 11. Mode Button
- 12. Drain Microphone
(Designed to drain water.
This is not a door/latch.
Do not try to open.)

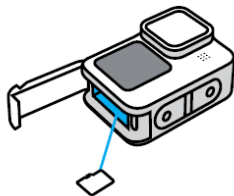
- 13. Speaker
- 14. Touch Screen
- 15. Folding Fingers

INSTALLING YOUR MICRO SD CARD

1. Unlock the door latch and flip the door open.



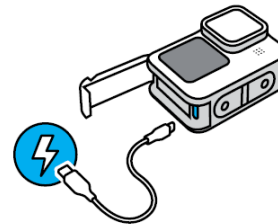
2. With your camera off, insert the SD card into the card slot with the label facing the USB port.



You can eject the card by pressing it into the slot with your fingernail.

CHARGING THE BATTERY

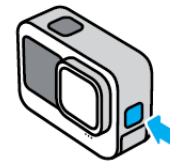
1. Connect your camera to the USB charger provided using the included USB-C cable.



POWERING ON/OFF

On: Press the Mode button to turn on

Off: Press and hold the Mode button for 3 seconds to turn off



GOPRO APP PROMPT

When the GoPro has not been powered on for a while, the GoPro may prompt you to install the app to finish setup.

The app is not required for use. Just tap the < on the screen or tap the Mode button on the side of the camera. You may need to select “Skip Setup” on the next prompt.



USING THE REAR TOUCH SCREEN



Tap—Selects an item, turns a setting on or off



Swipe Left or Right— Switches between Video, Photo, and Time Lapse modes



Swipe Down from the Top Edge of the Screen—Opens the Dashboard






Swipe Up from the Top Edge of the Screen—View Media Gallery

CAPTURE MODES

There are three main capture modes: Video, Photo, and Time Lapse. Using the rear touch screen, swipe left or right to the mode you want.

RECORDING VIDEO

1. Swipe left or right to .
2. Press the Shutter button  to start recording.
3. Press the Shutter button  again to stop recording.

Shutter button is located on the top of the camera.

To learn about the additional capture modes or settings, see the full GoPro manual at www.cadl.org/gopro

NOTE: The screen will sleep after 1 minute of recording to save power. It is still recording.

Tap the screen to turn it back on. It will wake for 10 seconds before going back to sleep.

RESETTING THE CAMERA

If the camera is not responding, press and hold the Mode/Power Button for 10 seconds. This will restart the camera.

RESTORE ALL SETTINGS TO DEFAULTS

This will reset all settings except camera name, password, Language and Video Format.

1. Swipe down to access the Dashboard
2. Swipe to the left to access the second screen
3. Tap Preferences > Reset > Factory Reset

RESETTING CONNECTIONS

This will clear device connections and reset the password.

1. Swipe down to access the Dashboard
2. Swipe to the left to access the second screen
3. Tap Connections > Reset Connections

The GoPro Hero9 Black and various Mods have many additional features that do not fit in this quick start. Find the full manuals at:

www.cadl.org/gopro.