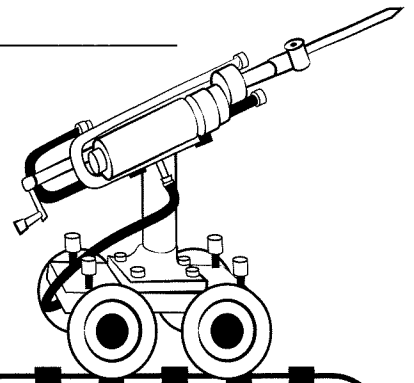




Name: _____

Folk Tale Problem Solving STEM Kit

John Henry



Plan

Large empty rectangular area for writing the plan, bounded by a dashed line.



Create



Test

Large empty rectangular area for writing the test results, bounded by a dashed line.



Did it work?

yes

no